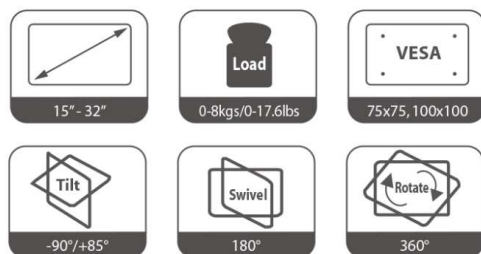




Gas Spring Aluminum LCD Monitor Desk Mount



MA-GS106BK 組立說明書

Installation INSTRUCTIONS

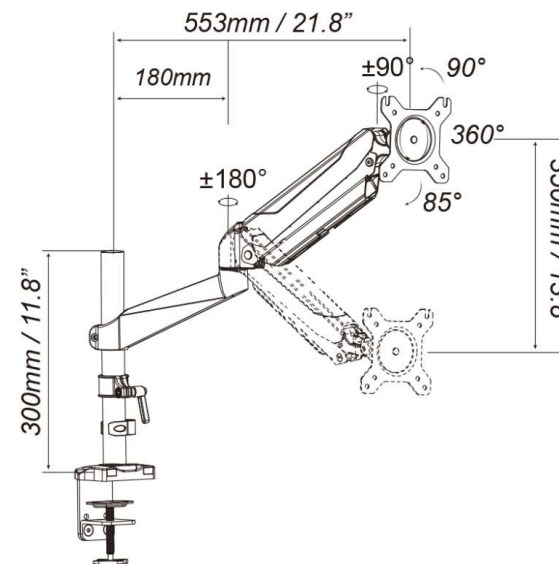
WARNING STATEMENTS

Warning

- ⚠ Prior to the installation of this product, the installation instruction must be read and completely understood. Failure to do so may result in personal injury, property damage or voiding of factory warranty.
- ⚠ Do not install on a structure that is prone to vibration, movement or chance of impact. Reinforce the structure as required before installation. Don't use the product on particle board.
- ⚠ The desk clamp can support a maximum thickness of 7.5 cm. Confirm the desk edge before installation.
- ⚠ Pay attention to the weight capacity of the mount. Exceeding the limitation can result in function unworkable or even serious personal injury and property damage.
- ⚠ Never operate the mount if parts are missing or damaged. Contact your local service center for warranty service.

PRODUCT LINE GRAPH

可動範圍圖

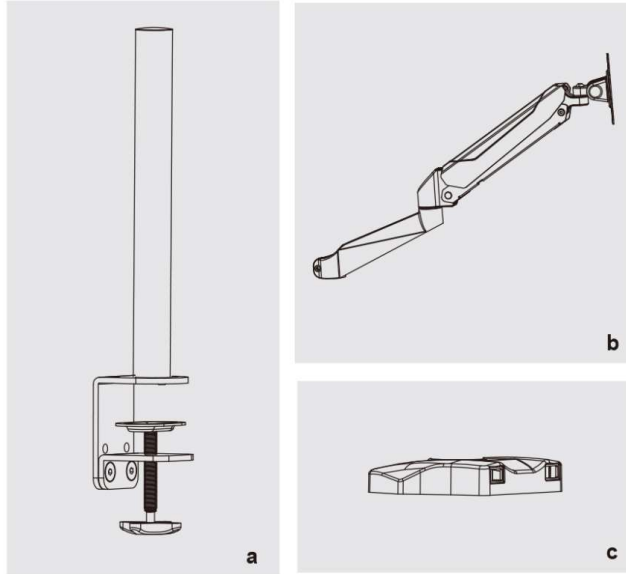


TOOLS REQUIRED NOT INCLUDED



プラス“+”ドライバー
別途ご用意して下さい

PARTS INCLUDED



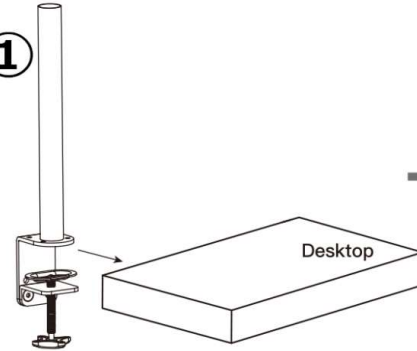
A	M4x12 (x4) Screws	M4x30 (x4) Screws
B	12X5.8X16 (x4) Spacer	Cable cover (x1)
C	S=4mm (x1) Allen key	S=5mm (x1) Allen key
D	Pipe clamp (x1)	
E	M5x6 (x3) Screws	Cable cover (x1)

1 クランプ固定方法

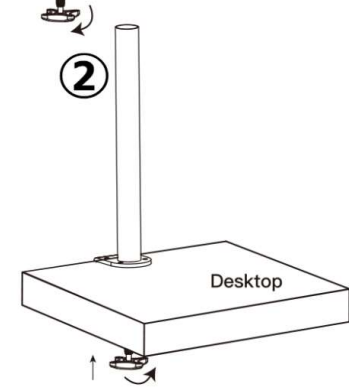


Measure the thickness of desktop.

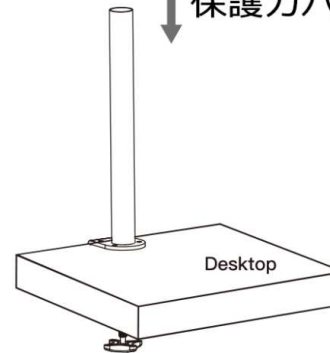
①



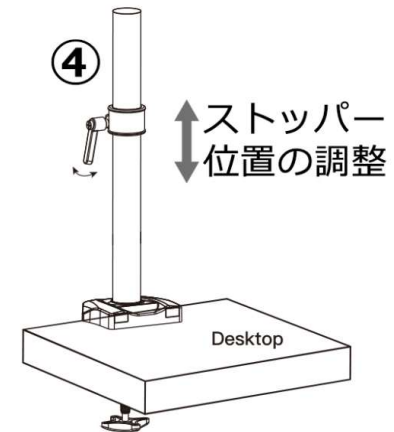
②



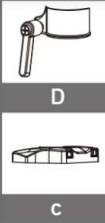
③



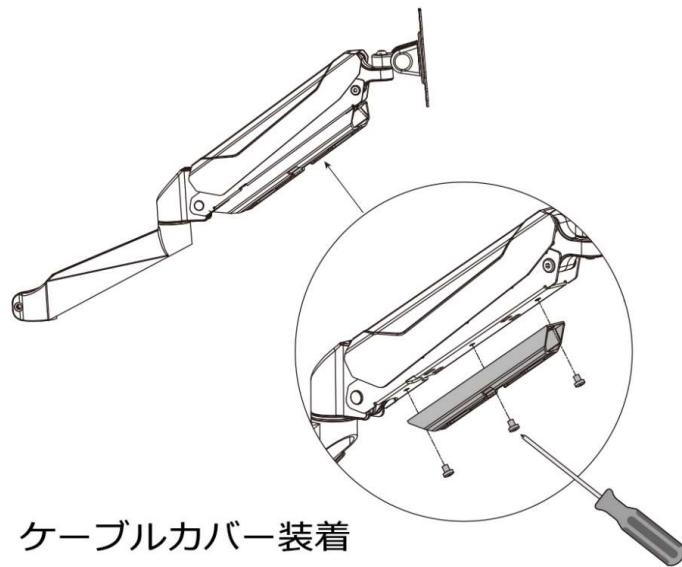
④



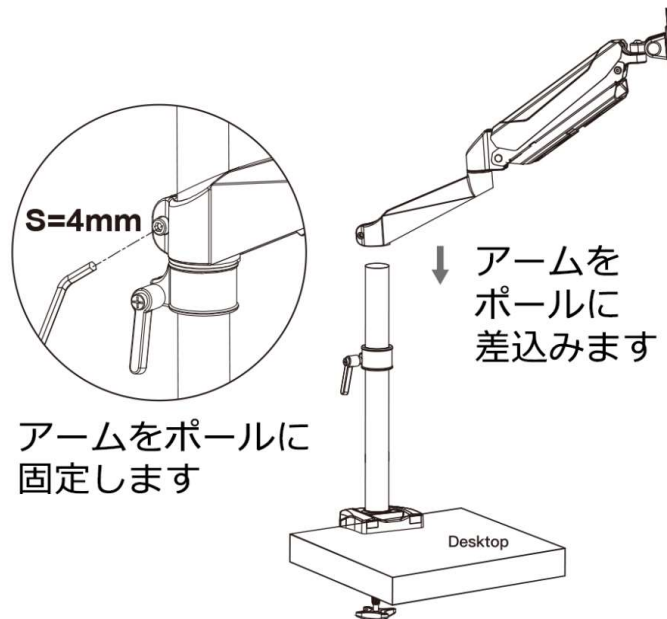
図の順番にてクランプを天板に取付けます



2



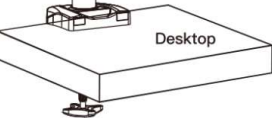
ケーブルカバー装着



S=4mm

↓ アームを
ポールに
差込みます

アームをポールに
固定します

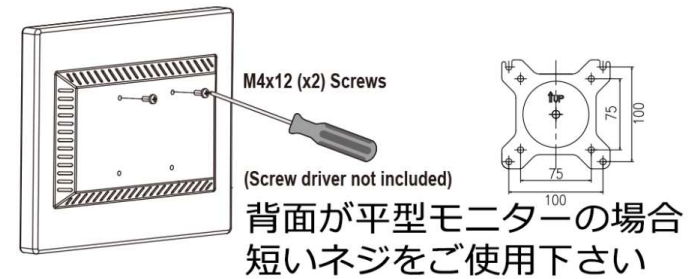


3

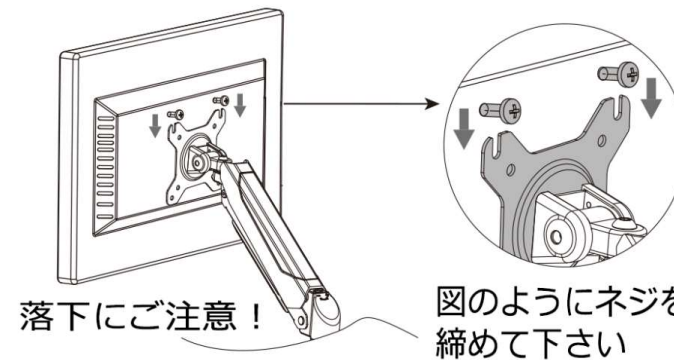
Flush Surface Installation

M4x12 (x4)
Screws
A

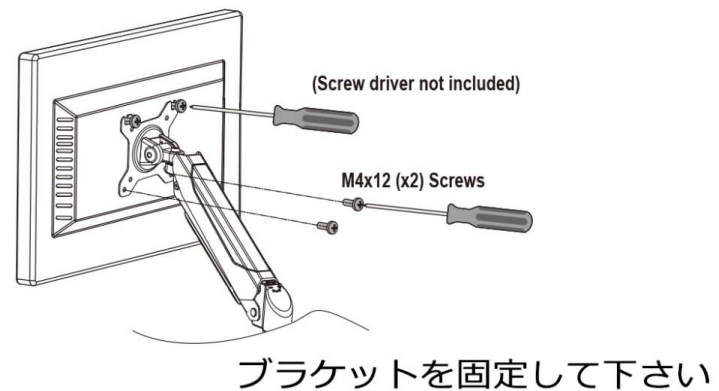
- ① Install the upper two screws and don't screw them tightly.



- ② Leave some space and hang the monitor on the head plate.

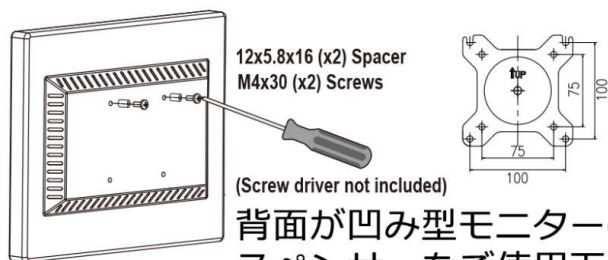


- ③ Install the lower two screws and fasten the upper two screws.



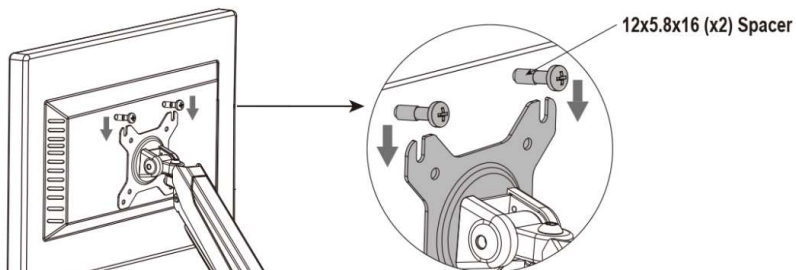
OR Recessed Surface Installation

- ① Put spacers on screws.
Install the upper two screws and don't screw them tightly.



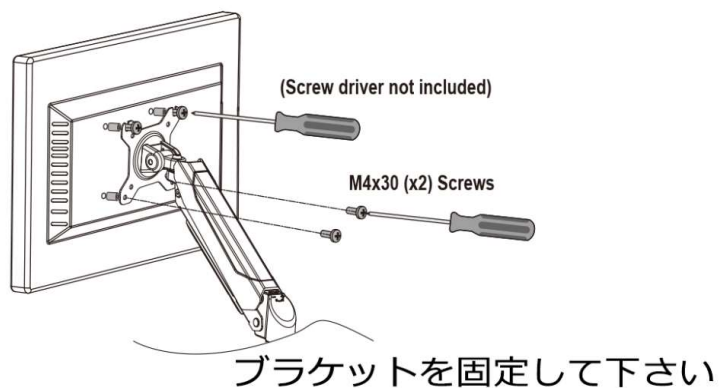
背面が凹み型モニターの場合、
スペンサーをご使用下さい

- ② Leave some space and hang the monitor on the head plate.



落下にご注意！
図のようにネジを
締めて下さい

- ③ Install the lower two screws and fasten the upper two screws.



M4x30 (x4)
Screws
A

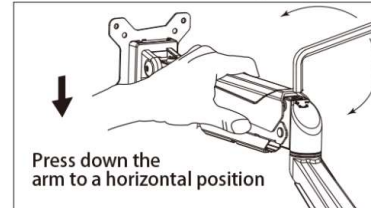
12x5.8x16 (x4)
Spacer
B

4

Horizontal



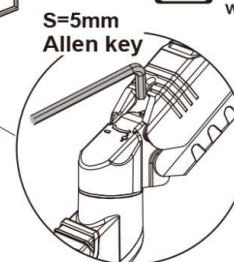
保持力の調整(水平時)



S=5mm
Allen key
C

Be sure to keep the arm in horizontal
position during adjustment. Or else, it
would be difficult to adjust the mount.

S=5mm
Allen key

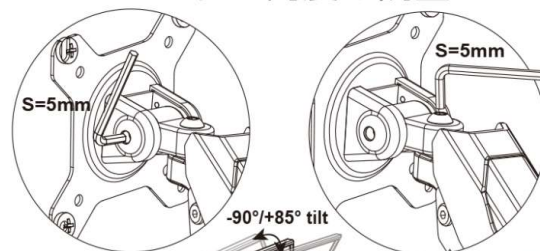


1 turn \approx 1 lbs \approx 0.4kg

NOTE: Turn clockwise to reduce
tension for lighter monitors and
counter-clockwise to increase
tension for heavier monitors.

5

モニター角度の調整



S=5mm
Allen key
C

Cable cover

B

ケーブルを固定します

